

Invision™ MPa Plus System

Synergic Welding System

MIG Welding Power Source 

Quick Specs

Heavy Industrial Applications

Railroad
Truck/trailer manufacturing
Light gauge and tube
Lawn and garden equipment
Recreational vehicles

Processes

MIG (GMAW)
Pulsed MIG (GMAW-P)
Flux-cored (FCAW)
Air carbon arc cutting and gouging (CAC-A)
352: 1/4 in. carbons max.
450: 5/16 in. carbons max.

Input Power 352: Requires 3- or 1-phase power, 208–575 V, 50/60 Hz

450: Requires 3-phase power, 230/460 V or 575 V, 60 Hz

Rated Output 352: 10–38 V, 5–425 A
450: 10–38 V, 15–600 A

Net Weight 352: 80 lb. (36.3 kg)
450: 122 lb. (55.3 kg)

Synchronized, true push-pull wire feed system allows use of extended reach push-pull gun for consistent, versatile and dependable aluminum wire feeding.

Synergic pulsed MIG “one-knob” control makes pulsed MIG adjustments easy. Set the wire feed speed control and the system handles the rest (when optimized with an MPa Plus feeder).

MPa: M (MIG), P (Pulse), a (Advanced Arc Control). Advanced arc control enables an improved pulse welding arc. The operator has more control over puddle and bead characteristics using SharpArc. In addition, the unit provides a more robust and stable arc at very low arc length, reducing heat input, and providing the ability to weld on a wider range of material thickness.



Invision 352 MPa

Invision 450 MPa

Easy to set up. Select wire diameter, wire type and gas being used, set your wire speed and strike an arc.

Standard Miller® inverter features (see page 2).
• Wind Tunnel Technology™
• Fan-On-Demand™

Standard built-in pulsed MIG programs with synergic capability for the following metals (see page 3).
• Steel
• Metal core
• Aluminum
• Stainless steel
• Nickel
• Silicon bronze
• Copper nickel

Invision 352 MPa Model Only

Auto-Line™ power management technology allows for any input voltage hook-up (208–575 V) with no manual linking required, providing convenience in any job setting. Ideal solution for dirty or unreliable input power. (450 model is 230/460 V or 575 V manual link.)

Dinse-style weld disconnects provide high-quality weld cable connections. (450 model utilizes studs.)



Power source/wire feeder are warrantied for three years, parts and labor.
Original main power rectifier parts are warrantied for five years.
XR™ push-pull guns warrantied for one year, parts and labor.
Bernard® push-only gun warrantied for 90 days, parts and labor.



Miller Electric Mfg. LLC
An ITW Welding Company
1635 West Spencer Street
P.O. Box 1079
Appleton, WI 54912-1079 USA

Equipment Sales US and Canada
Phone: 866-931-9730
FAX: 800-637-2315
International Phone: 920-735-4554
International FAX: 920-735-4125

MillerWelds.com



Invision™ 352/450 MPa

Additional Features

Wind Tunnel Technology™ protects electrical components and PC boards from contamination.

Fan-On-Demand™ cooling system operates only when needed, reducing noise, energy use and the amount of contaminants pulled through machine.

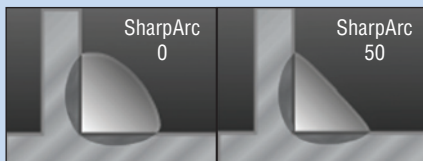
Invision 352 provides 350 amps of welding output at 60 percent duty cycle with superior low-end performance. Invision 450 provides 450 amps at 100 percent duty cycle.

Dual-wire feeder capable so you can always have two wires ready as particular jobs change, saving time and money with less set up.

Line voltage compensation keeps welding output constant even if input power varies by +/- 10 percent. 352 models further expand line voltage compensation to an amazing +37/-59 percent on 460 V.

SharpArc® changes welding arc characteristics in pulsed MIG (GMAW-P) welding mode. If a gas is used other than what is listed on the pulsed MIG welding program chart (page 3), SharpArc can be adjusted to help customize your arc to the gas being used.

Weld Cross Section



Lower SharpArc settings widen the arc cone, increase puddle fluidity and flattens the weld bead.

Auto Remote Sense™ enables unit to automatically use remote control if connected to remote control receptacle.

Large, dual digital meters are easy to view and are presettable to ease setting weld output.

Ultra-tough, polycarbonate-blended cover for control panel protects front controls from damage.

Lightweight, aerospace-grade aluminum case offers protection with the benefit of reduced weight.

115 V auxiliary power provides 10 amps of circuit-breaker-protected power for water circulators, etc.

Note: 115 V auxiliary power is standard on Invision 450 MPa models, and optional on Invision 352 MPa models.

Specifications (Subject to change without notice.)

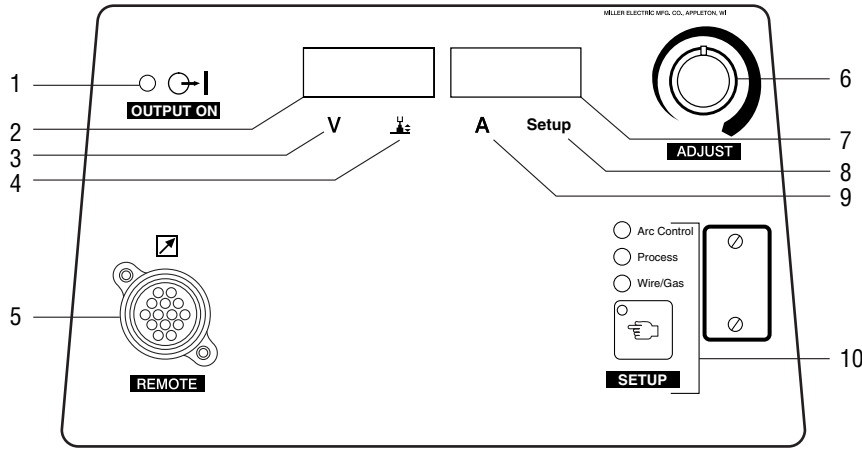
CC CV DC 3 Phase 1 Phase (Invision 450 MPa is 3-Phase only.)

Model	Input Power	Amp/Volt Ranges	Rated Output	Amps Input at Rated Load Output, 60 Hz					KVA	KW	Max. Open-Circuit Voltage	Dimensions	Weight
				208 V	230 V	400 V	460 V	575 V					
Invision 352 MPa	Three-phase	CC mode: 5–425 A CV mode: 10–38 V	350 A at 34 VDC, 60% duty cycle	40.4	36.1	20.6	17.8	14.1	14.2	13.6	75 VDC	H: 17 in. (432 mm) W: 12.5 in. (318 mm) D: 24 in. (610 mm)	80 lb. (36.3 kg)
	Single-phase	CC mode: 5–425 A CV mode: 10–38 V	300 A at 32 VDC, 60% duty cycle	60.8	54.6	29.7	24.5	19.9	11.7	11.2			
Invision 450 MPa	Three-phase	CC mode: 15–600 A CV mode: 10–38 V	450 A at 36.5 VDC, 100% duty cycle	—	49.4	—	27.2	23.6	21.6 (23.5 on 575 V)	18.3	90 VDC	H: 17.25 in. (438 mm) W: 14.5 in. (368 mm) D: 27.125 in. (689 mm)	122 lb. (55.3 kg)

 Certified by Canadian Standards Association to both the Canadian and U.S. Standards.

Control Panel

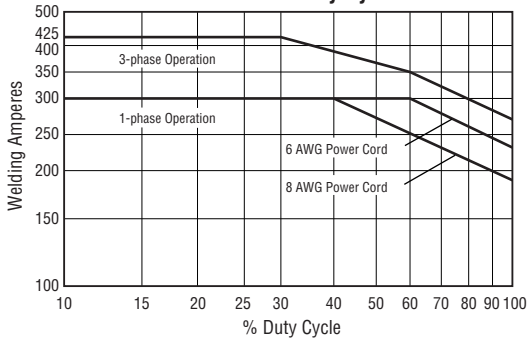
The Invision™ 352 or 450 MPa model and a 74 MPa Plus single- or dual-wire feeder combine for a synergic system that simplifies and improves MIG and pulsed MIG welding applications for industrial manufacturing.



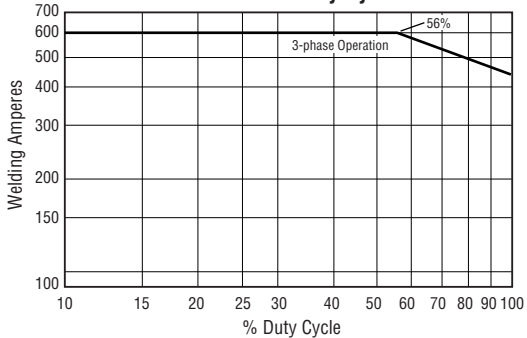
1. Output ON Indicator Light
2. Left Display
3. Voltage Indicator
4. Arc Length Indicator
5. Wire Feeder Receptacle
6. Adjustment Control
7. Right Display
8. Setup Indicator
9. Amperage Indicator
10. Setup Indicator Lights
 - Arc Control Indicator
 - Process Indicator
 - Wire/Gas Type Indicator
 - Setup Button

Performance Data

Invision 352 MPa Duty Cycle Chart



Invision 450 MPa Duty Cycle Chart



Built-In Pulsed MIG Programs

The Invision MPa models have built-in pulsed MIG programs. See the table below for the wide range of pulsed MIG (GMAW-P) welding applications the Invision MPa models can handle.

Wire Types		Gas Types
Steel	.035 STL, .045 STL	90% ARGN / 10% CO ₂ (argon/carbon dioxide) 95% ARGN / 5% OXY (argon/oxygen)
	.052 STL (450 model only) 1/16 STL (450 model only)	90% ARGN / 10% CO ₂ (argon/carbon dioxide) 95% ARGN / 5% OXY (argon/oxygen)
Metal Core	.035 MCOR .045 MCOR .052 MCOR 1/16 MCOR (450 model only)	90% ARGN / 10% CO ₂ (argon/carbon dioxide)
Stainless Steel	.035 SSTL, .045 SSTL	TRI MIX, Tri-gas mixture: 81% ARGN / 18% HE / 1% CO ₂ (argon/helium/carbon dioxide) 98% ARGN / 2% OXY (argon/oxygen) 98% ARGN / 2% CO ₂ (argon/carbon dioxide)
	1/16 SSTL (450 model only)	98% ARGN / 2% CO ₂ (argon/carbon dioxide)
Aluminum	.035 AL4X (4000 series) .040 AL4X (4000 series) 3/64 AL4X (4000 series) 1/16 AL4X (4000 series)	100% ARGN (argon)
	.035 AL5X (5000 series) .040 AL5X (5000 series) 3/64 AL5X (5000 series) 1/16 AL5X (5000 series)	100% ARGN (argon) 75% HE / 25% ARGN (helium/argon)
	.035 AL49 3/64 AL49 1/16 AL49	100% ARGN (argon)
Nickel	.035 NI, .045 NI	75% ARGN / 25% HE (argon/helium)
	1/16 NI (450 model only)	100% ARGN (argon)
Silicon Bronze	.035 SIBR	100% ARGN (argon)
Copper Nickel	.045 CUNI	75% HE / 25% ARGN (helium/argon)

Optimized Wire Feeder Options

Bench-Style Feeders



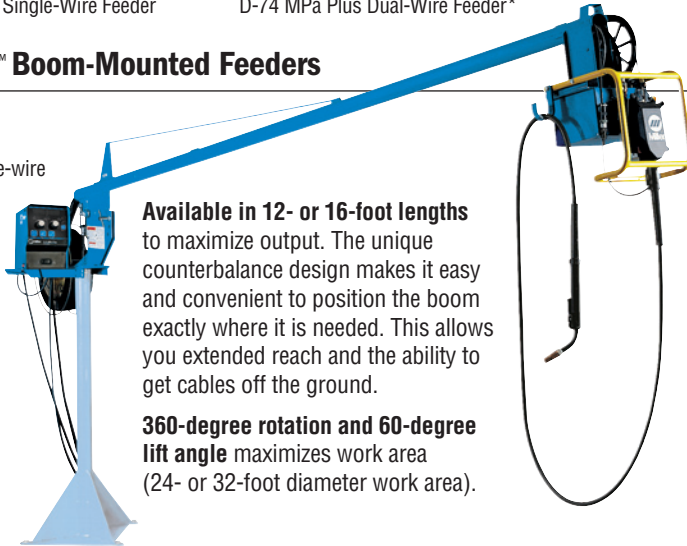
S-74 MPA Plus Single-Wire Feeder

D-74 MPA Plus Dual-Wire Feeder*

*Only left side of dual-wire model is capable of using push-pull gun.

Swingarc™ Boom-Mounted Feeders

Swingarc single-wire model shown.



Available in 12- or 16-foot lengths to maximize output. The unique counterbalance design makes it easy and convenient to position the boom exactly where it is needed. This allows you extended reach and the ability to get cables off the ground.

360-degree rotation and 60-degree lift angle maximizes work area (24- or 32-foot diameter work area).

Remote Configurations



S-74 MPA Plus Single-Wire Control Box

D-74 MPA Plus Dual-Wire Control Box*

MPa Plus Wire Drive Motor Assembly

Offers added flexibility to install the power source, control box and drive assembly in three separate places. This is desirable for mounting to custom jibs, booms or other extended-reach applications.

*Only left side of dual-wire model is capable of using push-pull gun.

Synergic pulsed MIG—The MPA Plus feeders give you the benefit of a synergic pulsed MIG system. As you increase/decrease the wire feed speed, the pulse parameters increase/decrease, matching the right amount of power output to match the wire speed. Feeders only operate synergically with an MPA power source.

Push-pull capability provides consistent, versatile and dependable aluminum wire feeding over greater distances.

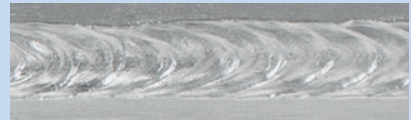
Trigger schedule select allows the operator to select the alternative schedule by quickly tapping the gun trigger when not welding. When optimized with an MPA power source the operator can also switch from MIG to pulsed MIG.

Available as either single- or dual-wire models. Provides trouble-free feeding performance.

Dual-wire models allow you to set up one side for soft wires (aluminum) while maintaining the ability to push a variety of hard wires on the other, saving time and money.

Trigger hold reduces fatigue by allowing the operator to weld without holding the trigger.

Program locks and limits allow you to maintain proper weld parameters.



Profile Pulse™ gives you the cosmetic bead appearance for the welds you want to show off.

Power Source Compatibility for MPA Plus Wire Feeders

Power Source	Pulse Capable	Synergic Pulsed MIG	System Communication Enhanced Arc Control	Electronic Inductance/SharpArc	Compatibility
Invision™ 352 and 450 MPA	Yes	Yes	Yes	Yes	Optimized
XMT® 350 and 450 MPA	Yes	Yes	Yes	Yes	Best
AlumaPower™ 350 and 450 MPA	Yes (aluminum only)	Yes (aluminum only)	Yes	Yes	Best
XMT® 350 and 450 CC/CV	Yes (with Optima)	No	No	Yes	Better
XMT® 304 CC/CV	Yes (with Optima)	No	No	Yes	Better
Invision™ 456P	Yes (with Optima)	No	No	Yes	Better
Invision™ 456MP	Yes	No	No	Yes	Better
Invision™ 354P	Yes (with Optima)	No	No	Yes	Better
Invision™ 354MP	Yes	No	No	Yes	Better
Deltaweld® (after KF790532)	No	No	No	No	Good
Dimension™ 650	No	No	No	No	Good
Dimension™ (after KE614131)	No	No	No	No	Good

Note: Power sources not included in this list are not recommended. For specific information, please contact your local Miller® distributor.

Wire Feeder Specifications (Subject to change without notice.)

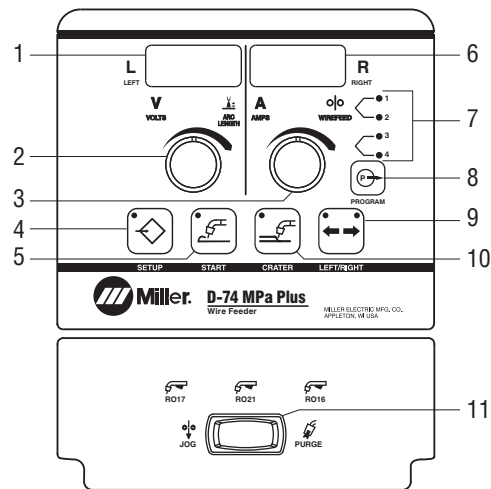
CV DC (Use with CV, DC Power Sources.)

Model	Input Power	Wire Feed Speed	Wire Type and Diameter Capacity	Dimensions		Net Weight	
				(Single-Wire)	(Dual-Wire)	(Single-Wire)	(Dual-Wire)
74 MPa Plus feeder	24 VAC, 10 A, 50/60 Hz	50–780 ipm (1.3–19.8 m/min.)	.023–5/64 in. (0.6–2.0 mm) .035–1/16 in (0.9–1.6 mm) aluminum	H: 14 in. (356 mm) W: 12.5 in. (318 mm) D: 28 in. (711 mm)	H: 14 in. (356 mm) W: 21 in. (533 mm) D: 35 in. (889 mm)	48 lb. (21.2 kg)	87 lb. (35.5 kg)
74 MPa Plus control box with wire drive assembly	24 VAC, 10 A, 50/60 Hz	50–780 ipm (1.3–19.8 m/min.)	.023–5/64 in. (0.6–2.0 mm) .035–1/16 in (0.9–1.6 mm) aluminum	H: 11 in. (279 mm) W: 11 in. (279 mm) D: 16 in. (406 mm)	H: 12 in. (305 mm) W: 14 in. (356 mm) D: 23 in. (584 mm)	17 lb. (7.7 kg)	30 lb. (13.6 kg)
				Wire drive assembly (H x W x D) 12 x 13 x 16 in. (305 x 330 x 406 mm)		Wire drive assembly 24 lb. (10.9 kg)	

Control Panel

D-74 MPa Plus Dual-Wire Feeder Control Panel Shown

1. Voltage/Arc Length Display Meter
2. Voltage/Arc Length Adjust
3. Amperage/Wire Speed Adjust
4. Setup Button
5. Start Button
6. Amperage/Wire Speed Display Meter
7. Program Indicators
8. Program Button
9. Left/Right Select Button
10. Crater Button
11. Jog/Purge



Drive Roll Kits and Guides

Select drive roll kits from chart below according to type and wire size being used. Drive roll kits include four drive rolls, necessary guides and feature an anti-wear sleeve for inlet guide.

Wire Size	"V" groove for hard wire	"U" groove for soft wire or soft-shelled cored wires	"V" knurled for hard-shelled cored wires	"U" clogged for extremely soft wire or soft-shelled cored wires (i.e., hard facing types)	Polished stainless steel "U" groove for aluminum wires contains nylon guides
.035 in. (0.9 mm)	151026	—	151052	—	265255
.040 in. (1.0 mm)	161190	—	—	—	—
.045 in. (1.1/1.2 mm)	151027	151037*	151053	151070	265256*
.052 in. (1.3/1.4 mm)	151028	—	151054	—	—
1/16 in. (1.6 mm)	151029	151039	151055	151072	265257
.068/.072 in. (1.8 mm)	—	—	151056	—	—
5/64 in. (2.0 mm)	—	—	151057	—	—

*Accommodates .045- and .047-inch (3/64-inch) wire.

Nylon Wire Guides for Feeding Aluminum Wire

Wire Size	Inlet Guide	Intermediate Guide
.035 in. (0.9 mm)	221912	242417
.047 in. (1.2 mm)	221912	205936
1/16 in. (1.6 mm)	221912	205937

Note: "U" groove drive rolls are recommended when feeding aluminum wire.

Wire Guides

Wire Size	Inlet Guide	Intermediate Guide
.023–.040 in. (0.6–1.0 mm)	221030	149518
.045–.052 in. (1.1–1.4 mm)	221030	149519
1/16–5/64 in. (1.6–2.0 mm)	221030	149520

Push-Pull Welding Gun Options

Gooseneck-Style Gun



XR-Aluma-Pro™ Plus Gun

Pistol Grip Gun



XR™-Pistol Plus Gun

Synchronized, true push-pull wire feed system with any of the MPa Plus feeder options shown on page 4.

Available in 15- and 25-foot lengths for extended reach with trouble-free, reliable feeding. Guns are available in either air- or water-cooled versions.

Aluminum-series-specific tension setting ensures smooth wire feeding performance with 4000 or 5000 series aluminum wires.

Replaceable feed cable liner is designed to provide consistent arc performance. It also reduces parts cost and service time by allowing a simple means of removing and replacing liner and not the complete feed cable.

Easy-to-rotate self-seating head tube allows for better access into tight spots, providing excellent current transfer.

Isolated, common, knurled drive roll helps reduce wear, reducing down time and cost.

Serviceability. These guns feature a cable cover with full-length hook-and-loop closure and integrated strain reliefs for easy cable maintenance and protection. Additionally, the Aluma-Pro Plus guns feature quick connections between the control cable and electrical components (trigger, motor, potentiometer).

Gun Specifications (Subject to change without notice.)

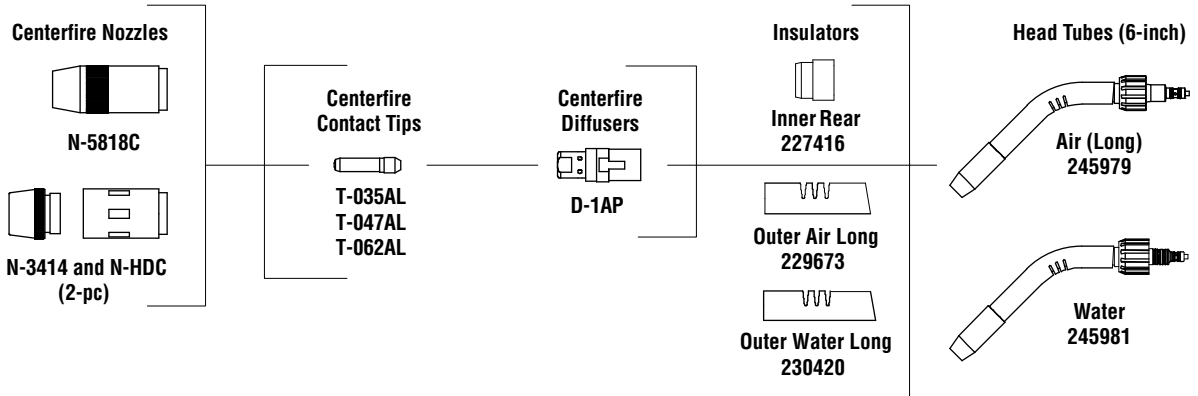
Model	Welding Current Rating	Wire Feed Speed	Wire Type and Diameter Capacity	Dimensions	Net Weight (Gun only)
XR-Aluma-Pro Plus (air-cooled)	300 A at 100% duty cycle	50–780 ipm (1.3–19.8 m/min.)	.030–1/16 in. (0.8–1.6 mm) aluminum wire Wire kit 230708 required to run 1/16 in. (1.6 mm) wire	H: 5 in. (127 mm) W: 2.5 in. (64 mm) D: 17 in. (432 mm)	2.5 lb. (1.1 kg)
XR-Aluma-Pro Plus (water-cooled)	400 A at 100% duty cycle	50–780 ipm (1.3–19.8 m/min.)		H: 5 in. (127 mm) W: 2.5 in. (64 mm) D: 17 in. (432 mm)	2.9 lb. (1.3 kg)
XR-Pistol Plus (air-cooled)	200 A at 100% duty cycle 250 A at 60% duty cycle	50–780 ipm (1.3–19.8 m/min.)	.030–1/16 in. (0.8–1.6 mm) aluminum wire Wire kit 230708 required to run 1/16 in. (1.6 mm) wire	H: 7.375 in. (187 mm) W: 1.875 in. (48 mm) D: 10.625 in. (270 mm)	2.2 lb. (1 kg)
XR-Pistol Plus (water-cooled)	400 A at 100% duty cycle				2.4 lb. (1.1 kg)

 Certified by Canadian Standards Association to both the Canadian and U.S. Standards.  Conforms to European standards.

Note: XR-Aluma-Pro Plus and XR-Pistol Plus guns are only compatible with MPa Plus feeders.

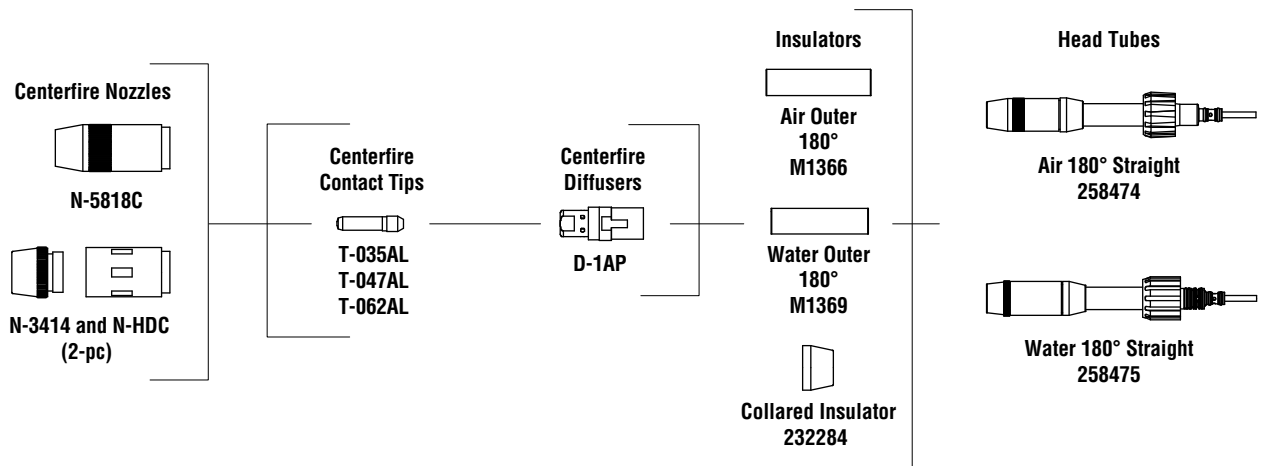
Standard Consumables

XR-Aluma-Pro™ Plus Gun



Note: Many other Centerfire™ options are available. Visit BernardWelds.com for more information.

XR™-Pistol Plus Gun



Invision™ MPa Plus MIGRunner™ Packages



Invision 450 MPa air-cooled push-only package with single-wire feeder shown.

Push-Pull Packages

MIGRunner system with running gear/cylinder rack.

951843 Invision 352 MPa air-cooled package with single-wire feeder

951844 Invision 352 MPa air-cooled package with dual-wire feeder

Packages include:

- Invision 352 MPa (without auxiliary power) power source
- Single- or dual-wire 74 MPa Plus wire feeder with drive rolls (.035/.047 in. U-groove and .035/.045 in. V-groove)
- 25 ft. XR-Aluma-Pro™ Plus push-pull gun for aluminum
- 15 ft. Bernard® BTB Gun 400 A (two with with dual-wire feeders)
- Industrial MIG 4/0 kit w/Dinse-style connectors (see page 10 for contents)
- Running gear/cylinder rack (MIGRunner cart for single-wire feeders
OR running gear cylinder rack for dual-wire feeders)

Push-Only Packages

Provides the same great Invision arc characteristics and synergic MIG capabilities as packages above, but comes with BTB Gun 400 A only (no XR-Aluma-Pro™ push-pull gun)

951411 Invision 352 MPa air-cooled package with single-wire feeder

951500 Invision 352 MPa air-cooled package with dual-wire feeder

951499 Invision 450 MPa air-cooled package with single-wire feeder

951457 Invision 450 MPa air-cooled package with dual-wire feeder

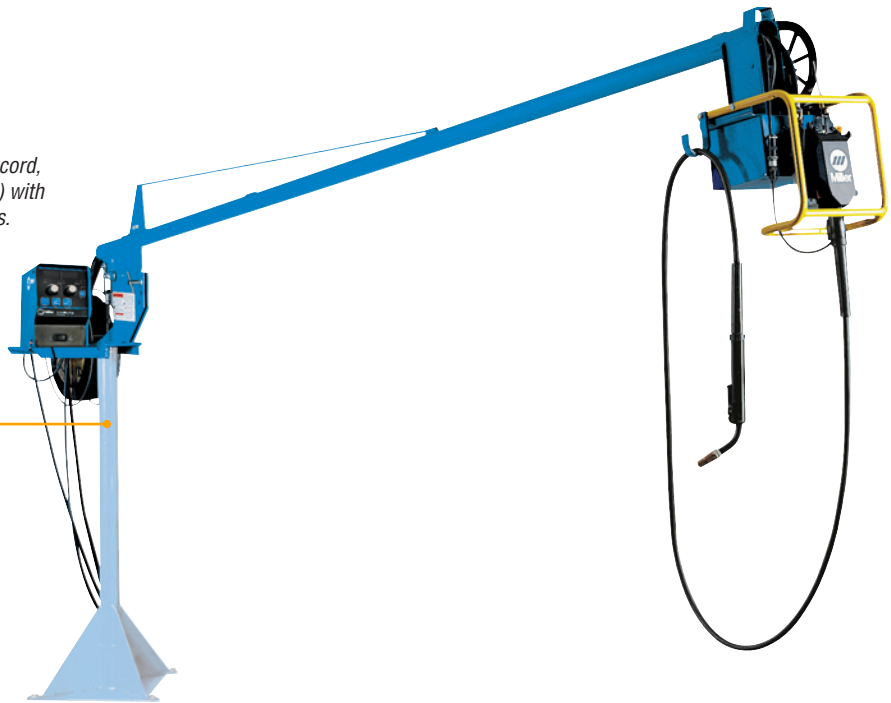
Packages include:

- Invision 352 MPa (without auxiliary power)
OR Invision 450 MPa (with 115-volt auxiliary power) power source
- Single- or dual-wire 74 MPa Plus wire feeder with drive rolls (.035/.045 in. V-groove)
- 15 ft. Bernard® BTB Gun 400 A (two with with dual-wire feeders)
- Industrial MIG 4/0 kit w/Dinse-style connectors for Invision 352 MPa
OR with lug connectors for Invision 450 MPa (see page 10 for contents)
- Running gear/cylinder rack (MIGRunner cart for single-wire feeders
OR running gear cylinder rack for dual-wire feeders)

70 Series MPa Plus Control Box/Swingarc™ Boom-Mounted Feeders

- Single-Wire Models** **951438** 12 ft. (3.7 m)
 951439 16 ft. (4.9 m)
Dual-Wire Models **951441** 12 ft. (3.7 m)
 951442 16 ft. (4.9 m)

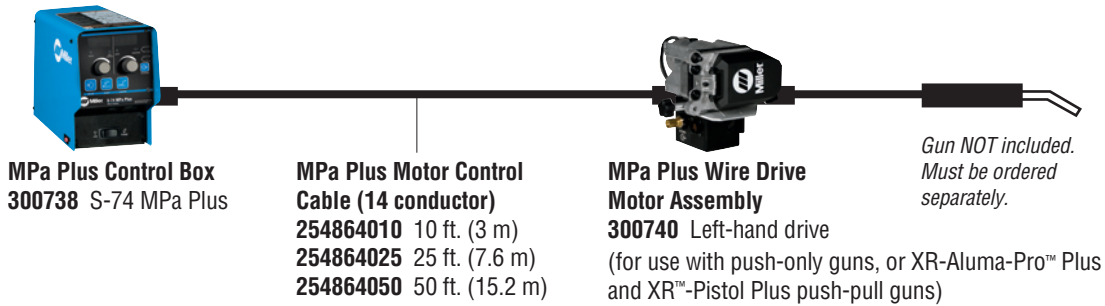
Note: Models include 10-foot 14-pin interconnecting cord, Bernard® BTB Gun 400 A (two with dual-wire models) with Centerfire™ contact tips, and .035/.045-inch drive rolls.



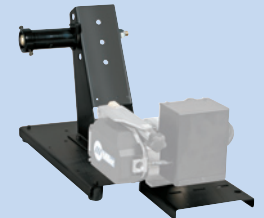
- Pipe Post (required, order separately)**
149838 4-foot pipe post with 18-inch base
149839 6-foot pipe post with 18-inch base

70 Series MPa Plus Control Box, Cables and Wire Drive Motor Assemblies

Single-Remote Configuration

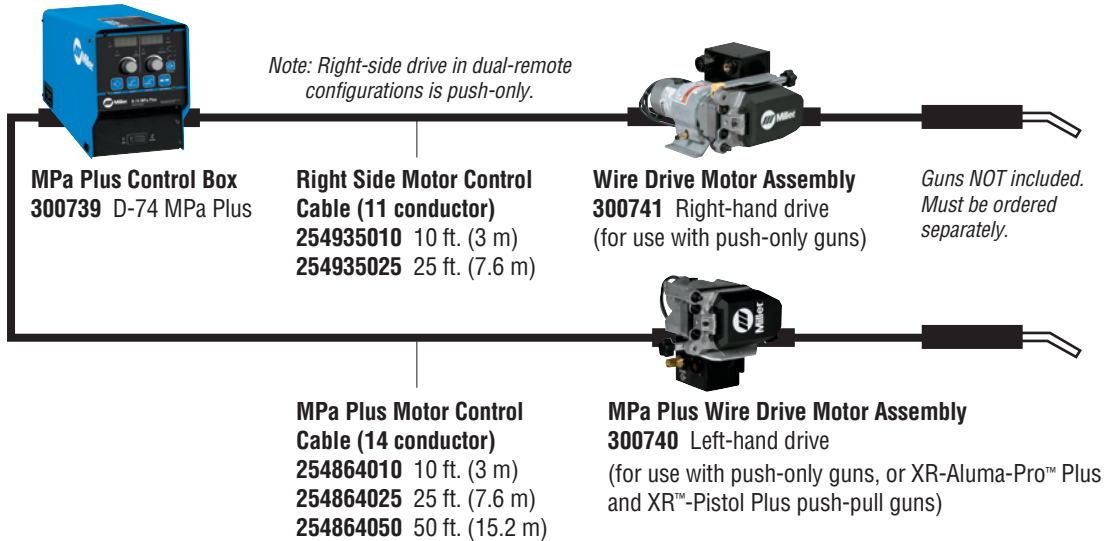


Flexible mounting options for wire drive assembly
 Fixed automation, boom applications, or other applications that benefit from having the drive assembly located away from the control box.



If using spooled wire you will need to order **Feeder Base 195369**.

Dual-Remote Configuration



Wire Feeders and Guns



D-74 MPa Plus feeder shown.

70 Series Wire Feeders

S-74 MPa Plus 951291 Single-wire feeder

D-74 MPa Plus 951292 Dual-wire feeder

Order XR-Aluma-Pro Plus gun and U-groove drive rolls separately to match your aluminum needs.

Above models are optimized for Invision 352 MPa and 450 MPa, with push-pull capability.

S-74S 951196 Single-wire feeder

S-74D 951198 Single-wire feeder

D-74S 951203 Dual-wire feeder

D-74D 951204 Dual-wire feeder

70 Series feeders feature Posifeed™ wire drive assembly and handle a variety of wires. Each includes a 15-foot Bernard® BTB Gun 400 A (two with dual-wire feeders) and .035/.045-inch V-groove drive rolls. See literature M/3.0.

Extension Cables

247831025 25 ft. (7.6 m)

247831050 50 ft. (15.2 m)

247831080 80 ft. (24.4 m)

Eleven conductors to support contactor control and remote voltage control on all Miller® electronic constant-voltage (CV) 14-pin power sources. Additional functions supported when using the Invision 352 MPa or 450 MPa power source include synergic pulsed MIG, and remote process select and side select capabilities.



XR-Aluma-Pro™ Plus Guns

301575 15 ft. (4.6 m), air-cooled

301574 25 ft. (7.6 m), air-cooled

301576 15 ft. (4.6 m), water-cooled

301577 25 ft. (7.6 m), water-cooled

Above gun models are specific to the 74 MPa Plus wire feeders.

This easy-to-use and easy-to-maintain gooseneck-style MIG gun is designed for push-pull wire feed systems. Available in air- or water-cooled versions. Gun design allows for better access into tight spots.



XR™-Pistol Plus Guns

300753 15 ft. (4.6 m), air-cooled

300754 25 ft. (7.6 m), air-cooled

300757 25 ft. (7.6 m), water-cooled

Above gun models are specific to the 74 MPa Plus wire feeders.

This easy-to-use and easy-to-maintain pistol-grip MIG gun is designed for push-pull wire feed systems. Available in air- or water-cooled versions.

1/16-inch (1.6 mm) Wire Kit 230708

Specially designed for 1/16-inch wire. Includes idler roll, head tube liner and inlet guide.

Required when running 1/16-inch wires. Not included with standard XR-Aluma-Pro Plus or XR-Pistol Plus guns.

Hardwire Liner Kit for Steel and Stainless 198377

For 15-, 25-, or 35-foot (4.6, 7.6 or 10.6 m) guns. Kit consists of gun head tube liner and feed cable liner. Recommend using .030–.045 inch mild steel or stainless steel electrode wire (.052- and 1/16-inch wire not recommended).

Phosphorous Bronze Liner (Optional)

233999 Long head tube (air or water)

233998 Short head tube (air only)



Spool Covers

057607 For S-74 and left side of D-74 models

090389 For right side of D-74 models

For 12-inch (305 mm) spool.

Note: Spool covers cannot be installed if the wire drive assembly is in a rotated position.



Wire Reel Assembly

108008

For 60-pound (27 kg) coil of wire.



Industrial MIG 4/0 Kit with Dinse Connectors 300405

For Invision 352 MPa power source. Includes flowmeter regulator with 10-foot (3 m) gas hose, 10-foot (3 m) 4/0 feeder weld cable with Dinse-style connector on one end and a lug on the other, 15-foot (4.6 m) work cable with Dinse-style connector on one end and 600-amp C-clamp on the other.

Industrial MIG 4/0 Kit 300390

For Invision 450 MPa power source. Includes the same as the kit above, except weld and work cables have lugs instead of Dinse-style connectors.

Running Gear



MIGRunner™ Cart 195445

For single-wire feeders. Small footprint and easily maneuverable, with cylinder rack low enough that you do not have to lift bottles.



Running Gear Cylinder Rack 300408

Holds two large gas cylinders and has gun cable hangers and a consumable drawer in front for easy access. A convenient handle allows the cart to be pulled easily through doorways. System components including power source and single- or dual-wire feeders can be mounted to the cart and secured.

Coolant Systems

For more information see literature AY/7.2.



Coolmate™ 3 043007 115 V

For use with water-cooled torches rated up to 600 amps. Unique paddle-wheel indicator, external filter and easy-fill spout.



Coolmate™ 3.5 300245 115 V

Industrial, 3.5-gallon cooler designed for water-cooled torches rated up to 600 amps.

Coolant 043809

Sold in cases of four one-gallon recyclable plastic bottles. Miller coolants contain a base of ethylene glycol and deionized water to protect against freezing to -37 degrees Fahrenheit (-38°C) or boiling to 227 degrees Fahrenheit (108°C). Also contains a compound that resists algae growth.

Cable Connectors and Adapters

Note: Invision 352 MPa power sources are equipped with Dinse-style connectors for secondary connections.



Dinse/Tweco® Adapter 042465 Dinse/Cam-Lok Adapter 042466

One-piece adapter with Dinse-style male plug (to power source) on one end and female receptacle (Tweco or Cam-Lok for weld cable connection) on other end.

Dinse-Style Connector Kit

042418 Accepts #4 to #1/0 AWG cable size.
042533 Accepts #1/0 to #2/0 AWG cable size.
Kit includes one Dinse-style male plug which attaches to the work and/or weld cables and plugs into the Dinse-style receptacles on the power source.

Extension Kit for Dinse-Style Cable Connectors 042419

Accepts #4 to #1/0 AWG cable size. Used to adapt or extend weld and/or work cables. Kit includes one male Dinse-style plug and one in-line female Dinse-style receptacle.

Ordering Information

Power Source and Options	Stock No.	Description	Qty.	Price
Invision™ 352 MPa	907431	Power source only. 208–575 V with Auto-Line™		
	907431001	Power source only. 208–575 V with Auto-Line™ and auxiliary power		
Invision™ 352 MPa Plus Air-Cooled MIGRunner™ Packages	951843	With single-wire feeder and MIGRunner cart (<i>see page 8 for package details</i>)		
	951844	With dual-wire feeder and running gear cylinder rack (<i>see page 8 for package details</i>)		
Invision™ 352 MPa Plus Air-Cooled MIGRunner™ Packages (push-only package w/BTB Gun 400 A)	951411	With single-wire feeder and MIGRunner cart (<i>see page 8 for package details</i>)		
	951500	With dual-wire feeder and running gear cylinder rack (<i>see page 8 for package details</i>)		
Invision™ 450 MPa	907485	Power source only. 230/460 V with auxiliary power		
	907486	Power source only. 575 V with auxiliary power		
Invision™ 450 MPa Plus Air-Cooled MIGRunner™ Packages (push-only package w/BTB Gun 400 A)	951499	With single-wire feeder and MIGRunner cart (<i>see page 8 for package details</i>)		
	951457	With dual-wire feeder and running gear cylinder rack (<i>see page 8 for package details</i>)		
Wire Feeders				
70 Series MPa Plus Feeder (Order XR-Aluma-Pro Plus and U-groove drive rolls separately)	951291	S-74 MPa Plus. Single-wire feeder optimized for Invision MPa with push-pull capability. Includes Bernard® BTB Gun 400 A and .035/.045 in. V-groove drive rolls		
	951292	D-74 MPa Plus. Dual-wire feeder optimized for Invision MPa with push-pull capability. Includes two Bernard® BTB Gun 400 A and .035/.045 in. V-groove drive rolls		
70 Series Feeder		See page 10		
Extension Cables		See page 10		
Spool Covers	057607	12 in. (305 mm) spool for single-wire feeders or left side of dual-wire feeders		
	090389	12 in. (305 mm) spool for right side of dual-wire feeders		
Wire Reel Assembly	108008	For 60 lb. (27 kg) coil		
Swingarc Boom-Mounted Feeders with 70 Series MPa Plus Control Box	951438	12 ft. single-wire model with Bernard BTB Gun 400 A and .035/.045 in. V-groove drive rolls		
	951439	16 ft. single-wire model with Bernard BTB Gun 400 A and .035/.045 in. V-groove drive rolls		
	951441	12 ft. dual-wire model with two Bernard BTB Gun 400 A and .035/.045 in. V-groove drive rolls		
	951442	16 ft. dual-wire model with two Bernard BTB Gun 400 A and .035/.045 in. V-groove drive rolls		
70 Series MPa Plus Control Box	300738	Single-wire control box for remote configurations		
	300739	Dual-wire control box for remote configurations		
Wire Drive Motor Assemblies	300740	MPa Plus for single-wire remote configurations or left side of dual-wire remote configurations		
	300741	Push-only drive for right side of dual-wire remote configurations		
Motor Control Cables		See page 9		
Guns and Gun Accessories				
XR-Aluma-Pro™ Plus Guns		See page 10		
XR™-Pistol Plus Guns		See page 10		
XR-Aluma-Pro™ 1/16-inch (1.6 mm) Wire Kit	230708	Required with 1/16-inch drive roll kit below to run 1/16-inch wire		
Accessories				
Industrial MIG 4/0 Kit	300405	With Dinse-style connectors for Invision 352. See page 10		
	300390	With lugs for Invision 450. See page 10		
Running Gear				
MIGRunner™ Cart	195445	For single-wire feeders		
Running Gear Cylinder Rack	300408	For dual-wire feeders		
Coolant Systems		See page 11. See literature AY/7.2		
Cable Connectors and Adapters		See page 11		

Date:

Total Quoted Price:

Distributed by:

